

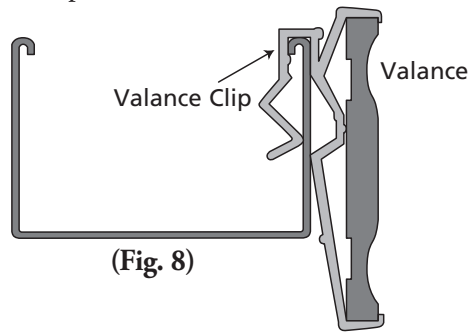
## VALANCE ATTACHMENT

Your blinds will be shipped with either valance clips or magnets for attaching the valance.

### IF USING VALANCE CLIPS:

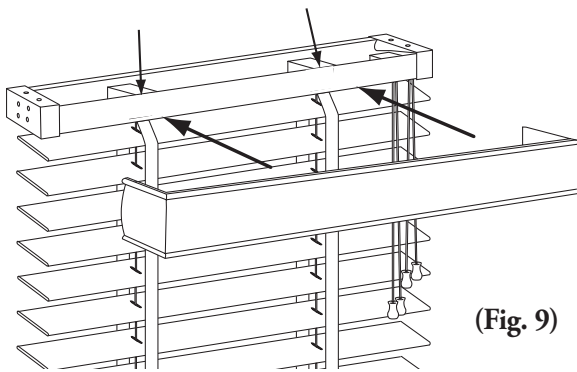
Install one clip on each end and space any others evenly in between, no more than 48" apart. **Important:** Install the valance clips *before* mounting the headrail. (Fig. 8)

Then, after mounting the headrail, attach the valance. Simply snap the valance into the valance clips.



### IF USING MAGNETS: (Wood Blinds only)

Magnets are already attached to the valance. Place the valance against the headrail. (Fig. 9)



### Outside Mount Aluminum Blinds:

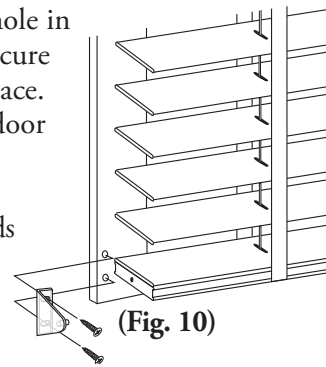
Returns are attached to the end of the bracket using self-adhesive pads.

Returns are not available on 2" Aluminum blinds.

## HOLD DOWN BRACKETS

Fits into predrilled hole in the bottom rail to secure the bottom rail in place. (Generally used on door shades.) (Fig. 10)

*Note:* Aluminum blinds have pre-molded hold down pins.



## CARE AND CLEANING

### DUSTING

Like all wood furnishings, wood blinds should be dusted regularly to keep them looking new. Use a soft, clean cloth, dusting mitt, or chemically treated dust cloth.

Lower the blind to its full length, tilt the slats almost all the way down and dust. Then tilt the slats almost all the way up and dust. (Not fully closing the slats allows dusting where the slats overlap.)

### VACUUMING

Blinds may also be cleaned by vacuuming them with the brush attachment of a vacuum cleaner, tilting the blinds open and closed as just described.

### DAMP CLEANING

Another way to clean blinds is simply by wiping them with a soft, damp rag.

### TREATING STAINED BLINDS

Like wood furniture, stained blinds should be treated periodically, with lemon oil or other wood preservative to protect their finish and enhance their luster. Apply to cloth rather than directly on slat surface.

**Important:** Ultra sonic cleaning of wood blinds is not recommended.

## CHILD SAFETY

An important consideration in any blind installation is child safety. To prevent serious injuries or strangulations, all cords must be kept out of the reach of children. Cord cleats or other methods of keeping the cords from hanging within reach of a child should be utilized.

Horizontal blinds also include breakaway tassels that will separate and prevent the lift cords from traveling backwards through the cordlock.



## ⚠ WARNING:

Young children can become entangled and strangle in cords. Keep all cords out of the reach of children.

## MOTORIZATION

### CHANGING THE PRESET HEIGHT LIMITS

Step 1. Send the shade to its current upper / lower limit.

Step 2. Press both the UP and DOWN on the remote at the same time until the shade jogs. Adjust only one position at a time. Adjust to a new lower limit position by using DOWN. Adjust to a new upper limit position by using UP.



Step 3. Press (MY) until the shade jogs. Repeat to adjust other limits.

# HORIZONTAL BLINDS

# INSTALLATION & OPERATING INSTRUCTIONS

## OPERATION

### WAND TILT

Twist the wand to rotate slats to the desired angle.

### CORD TILT

Pull cord down to rotate the slats open. Pull the opposite cord to rotate the slats closed.

### CORD LIFT

Pull the lift cords straight down to raise and lock the raised slats into position. Pull the lift cords toward the center of the blind to unlock and lower. It may sometimes be necessary to lift up on the bottomrail to release the cordlock to lower the blind.

**Keep slats tilted open while raising and lowering.**

### CORDLESS LIFT

Raise and lower the blind by gently pulling or pushing on the bottomrail.

### LIFT & LOCK CORDLESS

Press the bottomrail button to easily operate the blind then release the button to lock in position.

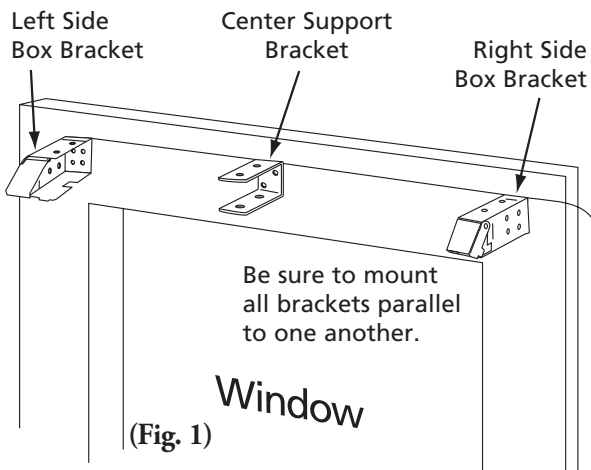
## MOUNTING BRACKETS

The box style mounting brackets are designed to work in all possible mounting applications. The diagram on the next page indicates which screw holes to use for each option. (Fig. 4)

Mount brackets as shown below. Always use all brackets supplied. Blinds over 48" wide must have one support bracket, and blinds over 96" wide must have two. Space the support brackets as evenly as possible between the two end brackets. There should be no more than 48" between any two brackets.

**Important:** Avoid positioning support brackets in line with blind ladders or tapes.

Use two screws to attach each support bracket. Locate the screws diagonally. Make sure the support bracket's top and back surfaces are aligned with the top and back surfaces of the two installation brackets. (Fig. 1)



## SCREW HOLES

For Ceiling Mount

Always use at least two screws per bracket to ensure a strong, secure mount.

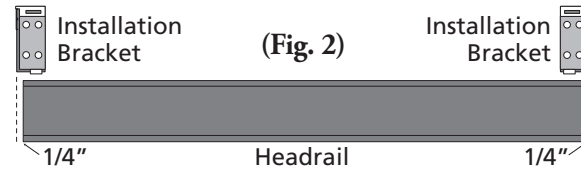
For Outside Mount

For Side Mount

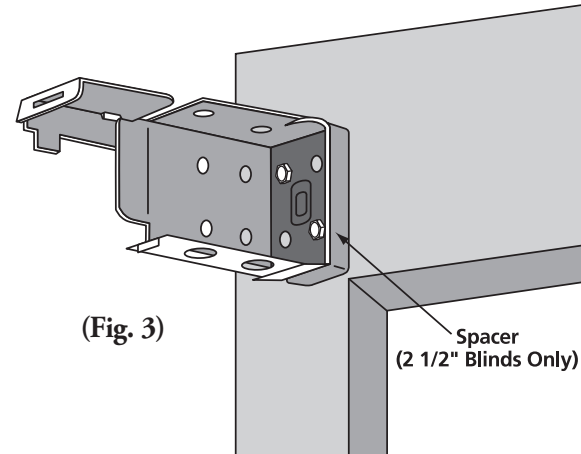
(Fig. 4)

## OUTSIDE MOUNT

First, mark where to attach the two installation brackets. Hold the blind up to the window in the position where you want it installed. With the blind centered and level, mark the surface 1/4" past each end of the headrail. (Fig. 2)



Attach the installation brackets to the wall or molding with two screws. Position the screws diagonally, as shown. Note that spacers are used with 2 1/2" blinds only. (Fig. 3)



## BRACKETS REQUIRED

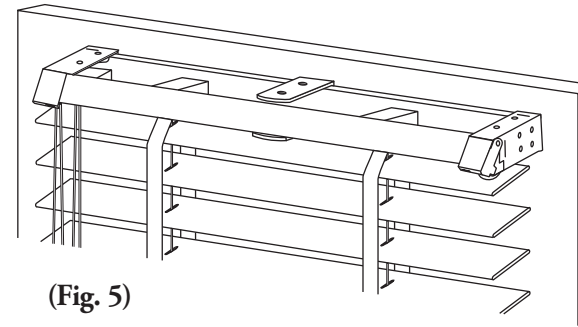
All blinds require two end brackets.

All 2 on 1's receive 1 center support bracket. All 3 on 1's receive 2 support brackets. Center support brackets for 2 on 1's and 3 on 1's should be placed between panels.

Blind Width	# of Center Support Brackets
Over 48"	1
Over 96"	2

Position the headrail in the box brackets as shown (Fig. 5). Swing the covers down and snap them closed.

**Important:** Attach the valance clips before installing the headrail. See the "Valance Attachment" section on the next page.



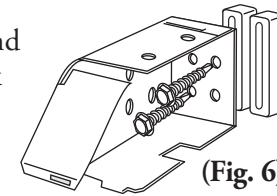
(Fig. 5)

## SPACER BLOCKS

### 2 1/2" BLINDS

The slat on a 2 1/2" blind extends beyond the back of the headrail.

Spacer blocks must be used for all outside mount applications. Use one (1) spacer block for each installation bracket. (Fig. 6)



(Fig. 6)

For inside mount applications there must be a minimum of 1/4" between the back of the headrail and any obstruction.

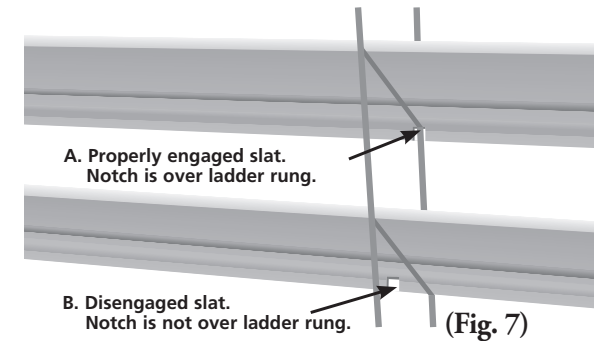
### NOTE:

When mounting blinds on a French Door or on a window with molding, we recommend using 1 spacer block per bracket for 2" blinds and 2 spacer blocks per bracket on 2 1/2" blinds.

## ROUTLESS BLIND/PRIVACY SLAT INSTALLATION NOTE

Due to the unique stringing method of Routless Blinds, the slats may become disengaged during shipping, installation, and aggressive use. To ensure proper operation of the Routless/Privacy Slat Blind it is important to check the engagement of the slats on the ladder. The notch in the slat should align with the ladder. (Fig. 7)

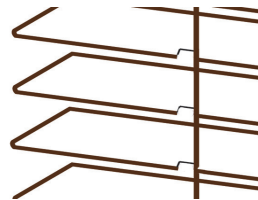
Slat A is properly engaged while slat B has disengaged. To fix a disengaged slat, simply move the slat by hand until the notch is properly seated on the ladder.



(Fig. 7)

## ROUTLESS BLIND/PRIVACY SLAT OPERATION INSTRUCTIONS

For optimal performance, Routless Blinds should only be raised or lowered when the slats are in the horizontal position.



## TILT WAND ATTACHMENT

1. Attach wand tip over the end of the tilter hook.
2. Slide clear cover down to hold the wand in place.