

AwardBlinds® Roman Shades

Flat and Hobbled

Installation Instructions

www.awardblinds.com

1-800-933-2616

To ensure smooth, successful installation of your Roman Shades, please read these instructions completely before you begin. Proper installation ensures that you'll enjoy the unique beauty and functionality of your shades right from the start and for years to come!

Introduction

We're pleased you have chosen AwardBlinds Roman Shades for your home. They have been carefully constructed from the finest fabrics and components to fit your windows, and have been thoroughly inspected to assure high-quality appearance and operation.

These easy-to-follow- instructions cover both Inside Mounting (within the window casement) and Outside Mounting (to the wall above the window casement), using convenient snap-in installation brackets. Please follow those sections that apply to you.

Parts included in your package

- Assembled Roman Shade (Note: keep closed until finished)
- Snap-In Mounting Brackets
- Four Mounting Screws



Tools you will need

- Pencil
- Phillips head screwdriver (flat head for shade removal)
- Level
- Drill with a 1/16" bit



Special fasteners you may need (if not attaching to wood studs)

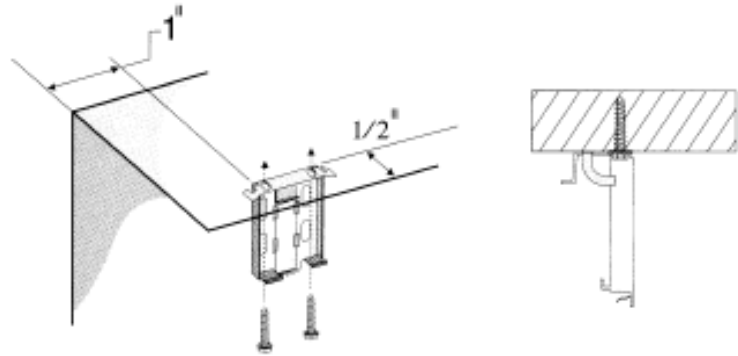
- Hollow walls (drywall, paneling): molley bolts or toggle bolts*
- Masonry or tile: self-drilling anchors, plugs or screws*
- Metal: use screws provided, pre-drill holes

*Not included

1 Step 1: Attach mounting brackets

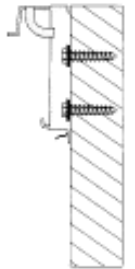
1a: Inside Mount

Using screws (or other fasteners) attach brackets vertically, 1 inch away from side of upper window frame and recessed $\frac{1}{2}$ inch from the front edge. If upper window is not level, use washers (not included) as needed to ensure equal height of brackets.



1b: Outside Mount

Holding the shade level and centered above the window at the desired height, mark the ends of the headrail on the wall. Attach the brackets to the wall 1 inch within the headrail marks, driving the screws (or other fasteners) into diagonally opposite holes.

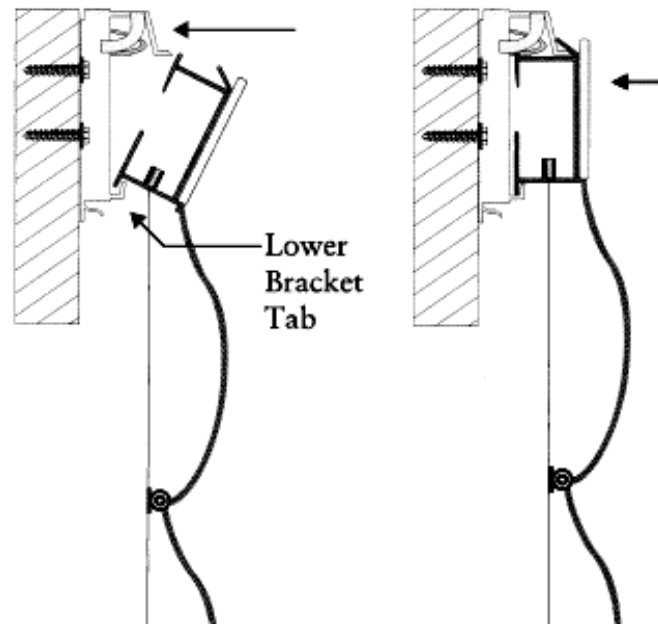


2 Step 2: Attaching the shade

Tilt the headrail so that the bottom lip on the back catches the lower bracket tabs. Roll the headrail upwards and in until the top click securely into place.

If you wish to remove the shade from the brackets, use a flat head screwdriver and push up and in on each bracket's lower tab. The tab will move up $\frac{1}{8}$ " (approximately) and snap in this position. The shade can now be removed from the brackets.

Note: Outside mount bracket and screw placement is shown to the right. However, shade attachment to the brackets is the same for inside mount and outside mount.



3 Step 3: Operation of shade

Operated by a patented cord lock and fabric panel lift system, AwardBlinds Roman Shades are ready to provide years of smooth, flawless operation. To raise the shade, simply pull straight down on the bottom pull tassel and release, locking the shade securely at the desired height. To lower, gently pull the cord release stop ball while holding the cord, allowing the shade to descend to the desired height, releasing a cascade of luxurious, contoured fabric folds.

Safety: To avoid possible strangulation, keep cords out of the reach of children.

