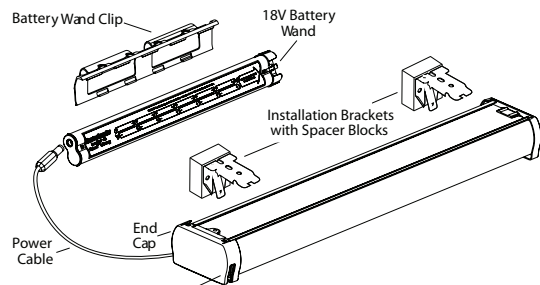


MOTORIZED SHADES

REMOTE LIFT

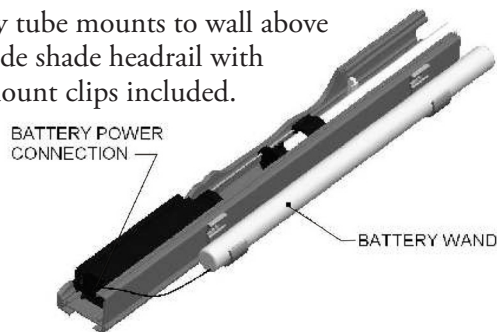
Battery tube mounts to back of shade headrail with included clips.

Do NOT connect the battery wand to the power cable prior to installing the shade.



WIREFREE LT32 12v RF

Battery tube mounts to wall above or beside shade headrail with wall mount clips included.



CONNECT THE POWER SOURCE

Shades with Battery Wand Clip

Plug the Power Cable into the Battery Wand. Plug the barrel connector on the cable into the socket on the wand.

Install the Battery Wand into the Wand Clip. Align battery wand with label toward the back of the headrail (away from the window). Push the battery wand straight up into the clip until it snaps into place.

Shades with Satellite Battery Pack

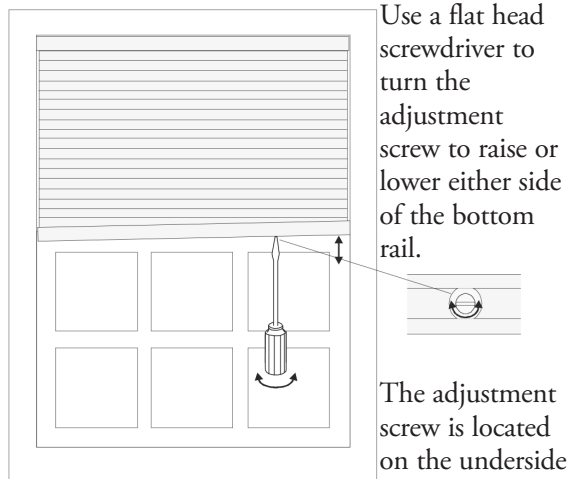
Decide where you want to mount the bracket. Screw the mounting bracket into place. Position the battery wand so the power cable is easily connected to the socket and snap the battery wand into the bracket.

Shades with DC Power Supply

Plug the power cable from the shade into the extension cable and plug the other end of the extension cable into the DC power supply. Plug the power supply into a standard outlet.

LEVELING THE BOTTOM RAIL

Cordless shades use a system that allows easy leveling of the bottom rail. It is designed to make slight adjustments (less than 1") to level the moving rails of your shade. It is not designed to make shade length adjustments.



Use a flat head screwdriver to turn the adjustment screw to raise or lower either side of the bottom rail.

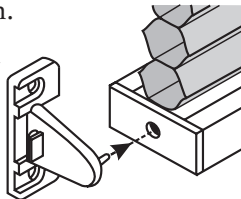
The adjustment screw is located on the underside of the rail.

One quarter turn of the screw will move the bottom rail up or down approximately 1/4". Over-turning the adjustment screw (more than 1") can cause the cord to tangle or get pinched inside the rail. The screw should turn easily - Do Not Force.

OPTIONAL HOLD DOWN BRACKETS

Optional hold down brackets are mounted with the supplied screws. With the shade at its full drop, place the pins on the hold down brackets into the holes in the bottomrail end cap and mark the mounting location.

Make sure the pins are level and aligned. Raise the shade, then screw the brackets onto the mounting surface.



EZ-LIFT CONTINUOUS CORD

Operate the shade by pulling down on one side of the cord loop. The front of the loop raises the shade, the rear lowers the shade.

CHILD SAFETY

The tension device reduces the hazards of strangulation and entanglement of young children and pets by limiting access to the control loop.

The tension device must be installed to make the shade fully operational.

Pull tension device down until the chain is taut on both sides. Mark the upper screw hole, and using screws provided, install tension device with upper hole 3/8" above mark.



⚠ WARNING:

Young children can become entangled and strangle in cords. Keep all cords out of the reach of children.

CARE AND CLEANING

DUSTING & VACUUMING

Cellular Shades can be dusted regularly to keep them looking new. Use a soft, clean cloth, dusting mitt, or chemically treated dust cloth. Shades may also be cleaned by vacuuming them with the brush attachment of a vacuum cleaner.

SPOT CLEANING

Most stains can be blotted with a damp sponge and mild detergent. **Important:** Do Not Immerse shade fully in water. Ultrasonic cleaning is not recommended.

CELLULAR SHADES

INSTALLATION & OPERATING INSTRUCTIONS

OPERATION

EZ-LIFT/CONTINUOUS LOOP CONTROL

Continuous control loop offers precise shade positioning while the control remains the same length. Comes with tension device that must be mounted in order for the shade to operate.

CORDLESS LIFT & CORDLESS TOP DOWN/BOTTOM UP

Raise and lower the blind by gently pulling or pushing on the bottomrail.

MOTORIZATION

Control a single shade or a group of shades with one remote. See separate Remote Programming Guide for additional set up information.

Brackets must be LEVEL for the shade to operate properly.

MOUNTING BRACKETS

INSIDE MOUNT

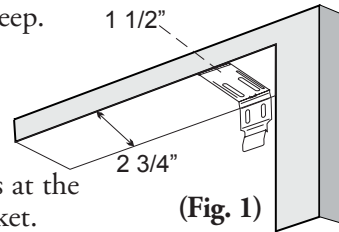
Position the first two brackets 3" from the ends for Continuous Cord Control shades and 1 1/2" from ends for Cordless or Motorized shades. Evenly space any additional brackets between the two end brackets. Brackets may be mounted to ceiling or the top or inside of window frame.

To attach the brackets, the flat surface of the window casement must be at least 3/4" deep. To fully recess the shade, the flat surface must be at least 2 3/4" deep.

(Fig. 1)

Inside or ceiling mount use the top bracket holes.

Note: Release tab is at the bottom of the bracket.

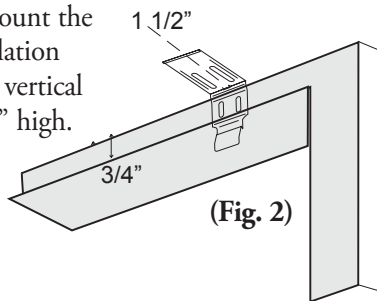


(Fig. 1)

OUTSIDE MOUNT

Position the first two brackets 3" from the ends for Continuous Cord Control shades and 1 1/2" from ends for Cordless or Motorized shades. Evenly space any additional brackets between the two end brackets.

The brackets are mounted using the rear bracket holes. (Fig. 2) Mount the ends of the installation brackets on a flat vertical surface at least 3/4" high.



(Fig. 2)

Shade Width	# Brackets
Up to 60"	2
60 1/8" - 96"	3
96 1/8" - 132"	4
132 1/8" - 168"	5

Note: If Motorized shade, allow minimum 15" space between brackets on the motor end for the battery tube. Minimum mounting depth required is 1" with battery tube or 1/2" with satellite battery pack or DC power supply.

OPTIONAL SPACERS & EXTENSIONS

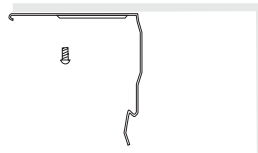
SPACER BLOCKS

Spacer blocks will project the installation bracket 1/2". Check that your mounting screws are long enough to securely attach the installation bracket and the spacer blocks.

A 1/2" spacer block is required for RemoteLift Motorized shades using the battery wand clip.

EXTENSION BRACKETS

Extension brackets can project the installation brackets up to 2 1/2" away from the mounting surface. Connect the installation brackets with the machine screw and speed nut included with each extension bracket.



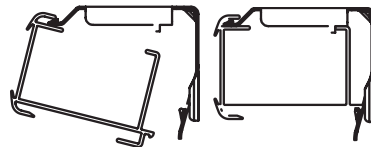
INSTALL THE HEADRAIL

First, lower the bottomrail (and middle rail if applicable) about an inch to keep the fabric from getting caught between the headrail and the bracket. With the front side of the fabric facing you, position the headrail with the front lip resting on top of the hook on each bracket.

(Fig. 3) Roll the back of the headrail up and into the brackets until it snaps in place. Check to make sure the brackets are securely attached to the rail before operating the shade.

To remove the shade, push in on the tab on the bottom of the bracket, roll the back of the rail down and forward to release the hook on the front groove of the rail.

(Fig. 3)



INSTALL THE CORDLESS HANDLE(S)

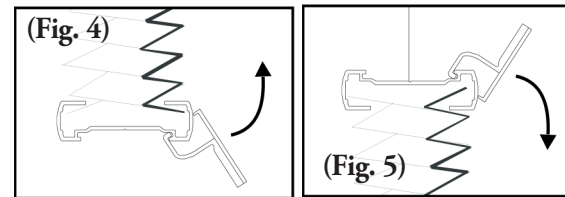
To avoid damaging your new shades, follow the instructions below carefully. This is especially important when attaching handles to shades with fabric wrapped rails, and will ensure the fabric wrap does not get damaged.

Carefully determine the placement of the handles. For shades 48" wide or under, the handle should be placed at the center of the rail. For shades over 48" wide, two handles should be evenly spaced on the rail, as far apart as is comfortable to operate.

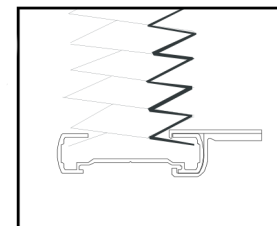
Attempting to move handles after they been installed may cause damage to the fabric on the rails.

Gently lift the shade fabric out of the way. Hook the handle on the underside of the rail and swing up as shown (Fig. 4) until the top of the handle snaps securely in place.

If the shade is a Top Down/Bottom Up, repeat the process for the handle(s) on the middle moving rail. (Fig. 5)

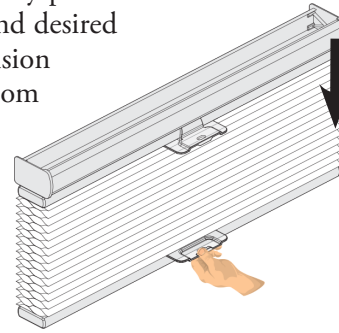


The handle will sit approximately 1/2" above the window sill when the shade is fully lowered. This allows easy access for grasping the handle when raising the shade.

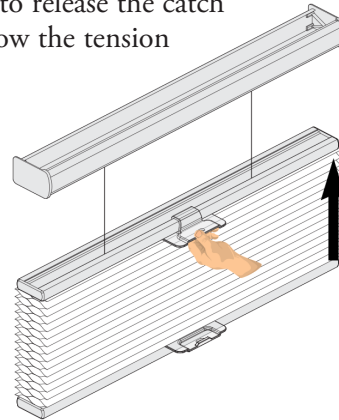


CORDLESS OPERATION

To lower shade, gently pull bottom rail down slightly beyond desired position and let tension spring pull the bottom rail up very slowly until catch mechanism engages and locks the bottom rail in position.



To raise shade, gently pull down slightly on the bottom rail to release the catch mechanism and allow the tension spring to unwind. Continue to slowly push up on the bottom rail until desired position is reached.



Note: Cordless shades operate best by slowly raising or lowering the shade. Pulling or pushing the shade too quickly can cause the shade to "spring" up or down out of its fully raised or lowered position.

Note: Cordless shades can only be raised as high as the person operating the shade can reach. For out-of-reach operations, an optional extension pole should be used.

