

Premium Express Cordless 2" Faux Wood Installation Instructions

You will need a pencil, tape measure, drill, screwdriver, level and appropriate fasteners.

Step 1: Locate Installation Screws



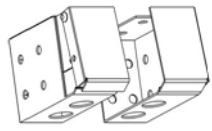
1 1/2" #8 Hex Head Wood Screws (Included)

Alternative fasteners should be used for metal, brick, tile or concrete installations. (Not Included)

Step 2: Mark Blind Location

Position the blind in desired location, making sure that the blind is level when marking. Mark above and at the ends of the blind.

Step 3: Mark the Bracket Locations



End Box Brackets



Center Support

Use the following # of Center Support Installation Brackets based on the finished Blind Width			
Less than 35"	35 1/8" – 60"	60 1/8" – 72"	Greater than 72 1/8"
0	1	2	3

Outside Mount Installations

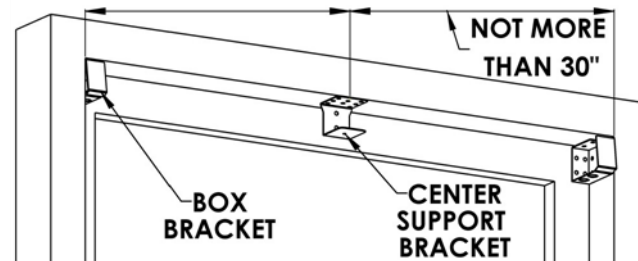
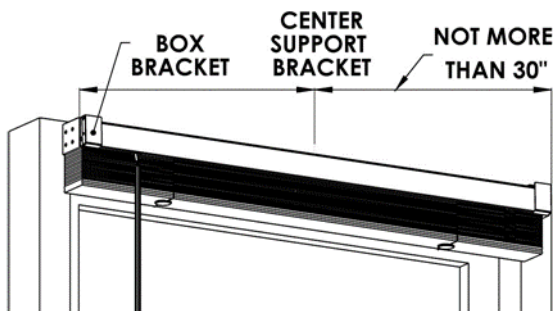
Align mounting bracket with blind location marks and mark 2 screw locations.

If center support bracket is required; position the top of the center support brackets in line with the top of the end brackets. Locate center supports evenly along the headrail, making sure that they do not interfere with the blind ladder or working parts. Check for levelness.

For Inside Mount Installations

Align mounting bracket with blind location marks and mark 2 screw locations. Depending on the installation location, box brackets can be attached using the top, back, or side holes.

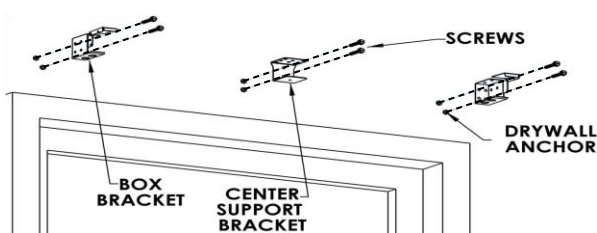
If center support bracket is required; position the top of the center support brackets in line with the top of the end brackets. Locate center supports evenly along the headrail, making sure that they do not interfere with the blind ladder or working parts.



Step 4: Bracket Installation

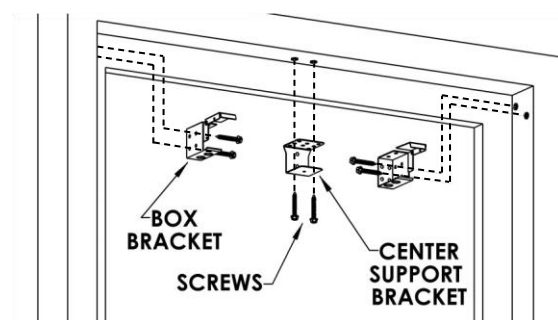
Outside Mount Installations

Screw brackets into wall as shown



Inside Mount Installations

Screw brackets into wall as shown



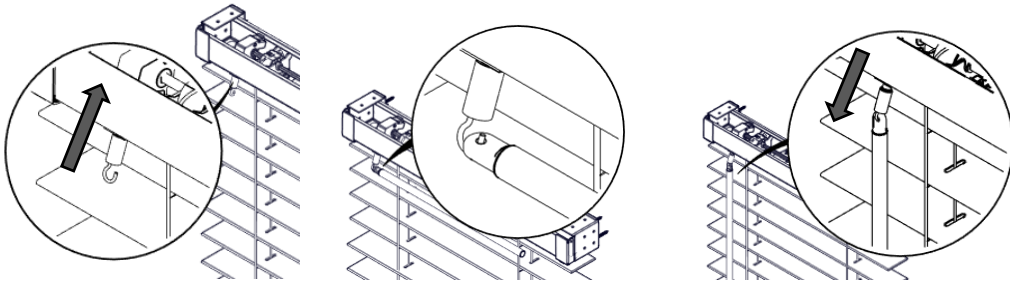
Step 5: Valance Clip Installation

Attach the plastic Valance Clips to the front of the headrail, one approximately 5 1/2" from each end. Space any remaining clips evenly between the two.

Premium Express Cordless 2" Faux Wood Installation Instructions

Step 6: Attach Wand

Attach wand by sliding the outer casing of the tilter stem up to expose the hook. Insert the wand and slide the outer casing down.

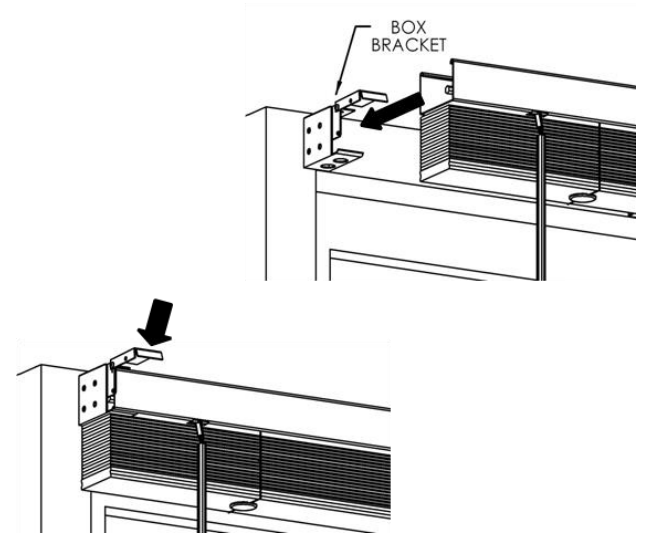


Step 7: Blind Installation

Align the headrail with the center support and box brackets. The headrail should have the tilt mechanism facing toward the room.

Be careful not to trap the top slat in the brackets. Slide the headrail straight back until it is snug in the brackets.

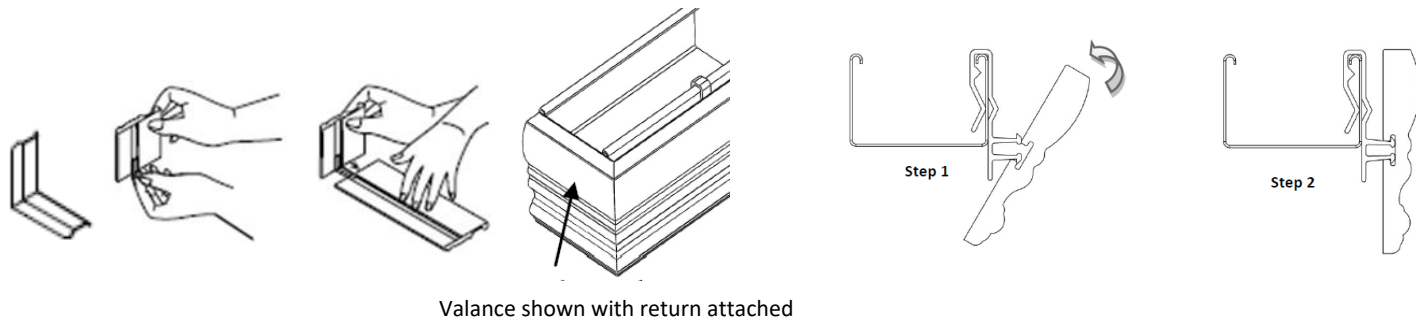
Lower the bracket door making sure that it snaps securely closed.



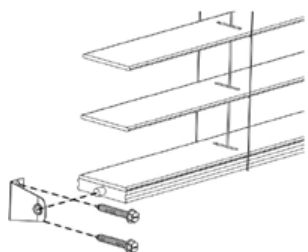
Step 8: Valance Installation

Optional valance returns. Insert the valance return bracket into the return and the valance to attach the returns.

If your blind has the pre-installed magnetic valance clips – simply secure the valance to the steel headrail. If not, press the slot in the Valance against the bottom post of the Valance Clip and rotate it upwards. Push the Valance against the Valance Clip. The two parts should snap together.



Step 9: Attach Hold Down Brackets (Optional)



With the hold down brackets attached to the bottom rail, lower the blind to the hold down bracket mounting surface and mark the bracket locations.

Attach the hold down brackets at the bottom of the window or door with the included screws as shown.

To attach the bottom rail, gently pull the brackets out slightly and insert the pins into the bracket.

Cordless Operating Instructions:

To lower the blind, pull down on the bottom rail with one hand gripping it near the middle or with both hands grabbing the bottom rail at equal distance from the center. When released the blind will stay at the desired height. **To raise the blind**, hold the bottom rail with two hands keeping the blind level while guiding the blind to the desired height. Once released, shade will stay in place.

To tilt the blind, turn the tilter wand in either direction.